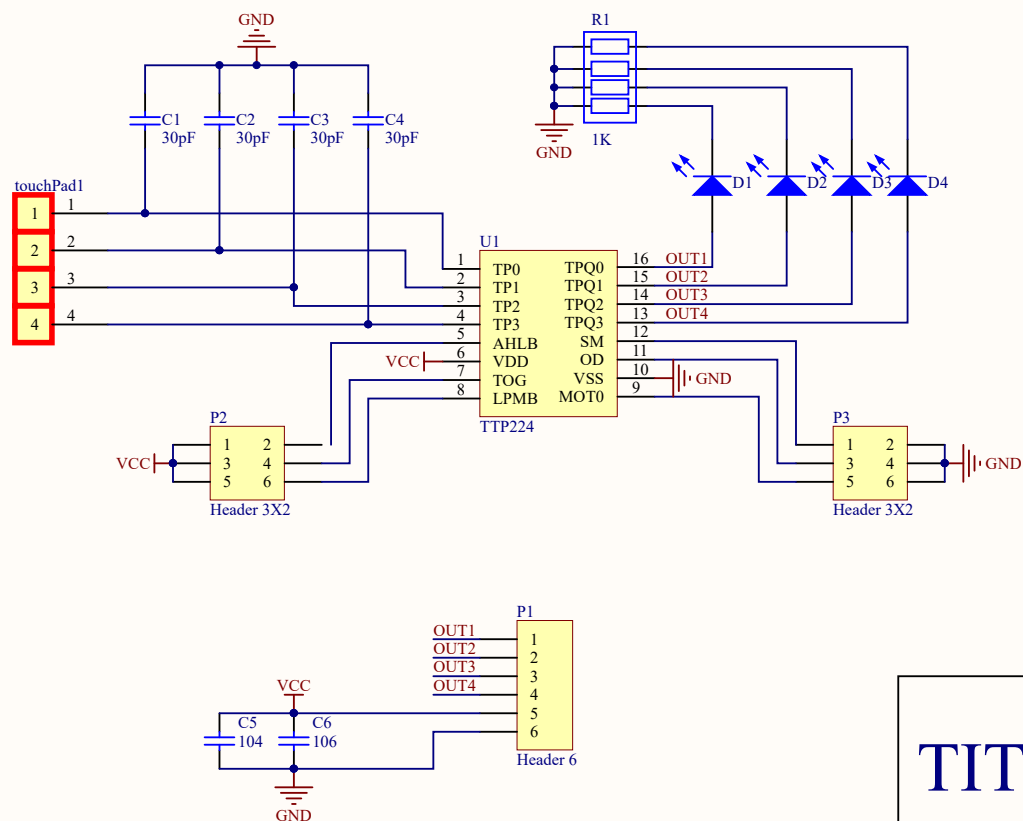


OSEPP 4D Touch Sensor (Arduino Compatible)

4D TOUCH-01



Output mode:

TOG OD AHLB Pad TPQ0TP3 option features

open open open Direct mode, CMOS active high output

open open VDD Direct mode, CMOS active low output

open VSS open Direct mode, Open drain active high output

open VSS VDD Direct mode, Open drain active low output

VDD open open Toggle mode, COMS output, Power on state=0

VDD open VDD Toggle mode, COMS output, Power on state=1

VDD VSS open Toggle mode, Power on state high-Z, Active high

VDD VSS VDD Toggle mode, Power on state high-Z, Active low

Maximum key on duration time:

MOT0 Option features

VSS Maximum on time 16sec

open Infinite(Disable maximum on time)

Key operation mode:

SM Option features

open Multi-key mode

VSS Single key mode

Fast and Low power mode:

LPMB Option features

VDD Fast mode

open Low Power mode

TITLE: 4D TOUCH-01

DATE: 2015/08/10